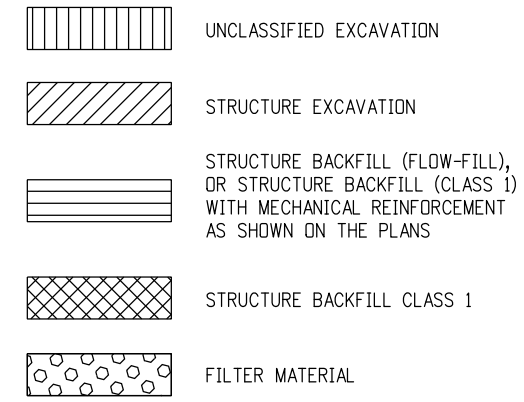


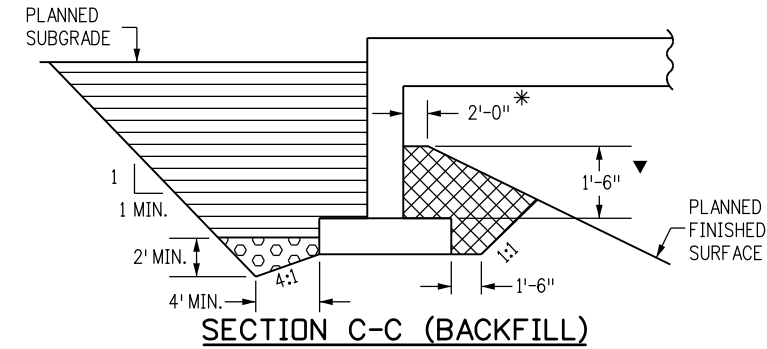
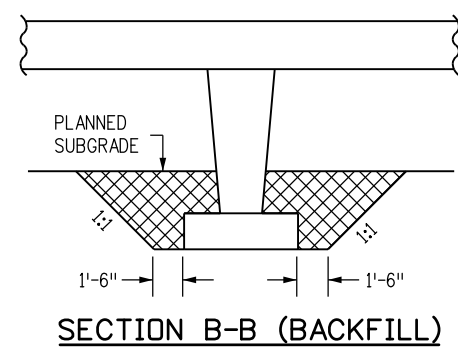
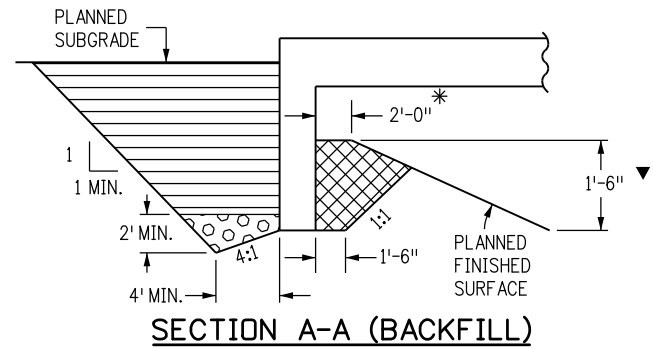
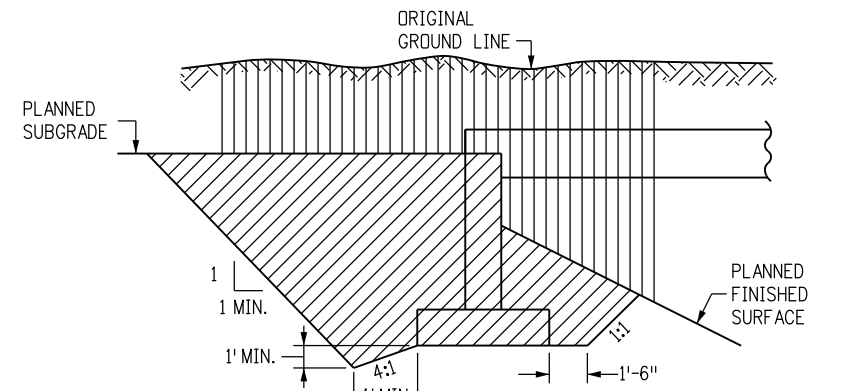
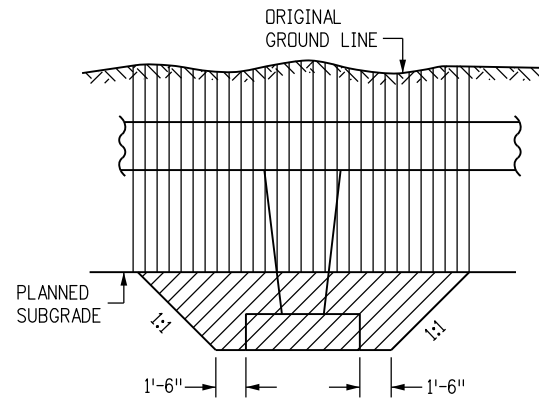
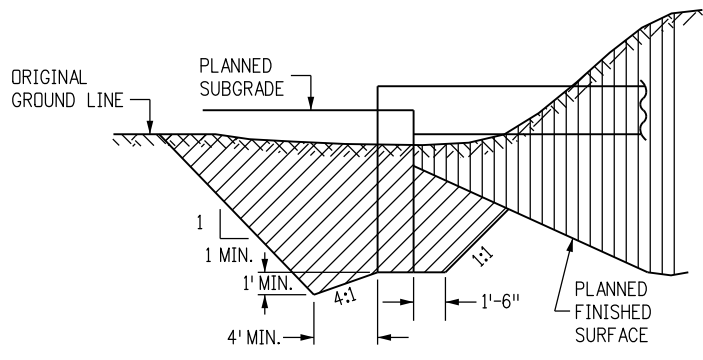
**GENERAL NOTES**

- EXCAVATION AND BACKFILL PATTERNS DIFFERENT FROM THOSE INDICATED ON THIS SHEET WILL BE SHOWN ON THE PLANS.
- STRUCTURE FOOTINGS WHICH ARE LOCATED IN ROCK SHALL BE POURED OUT TO UNDISTURBED ROCK WITHOUT FORMING, IN CONFORMANCE WITH SUBSECTION 601.09(b).
- STRUCTURE EXCAVATION FOR SLOPE PAVING NOT SHOWN.

**LEGEND**

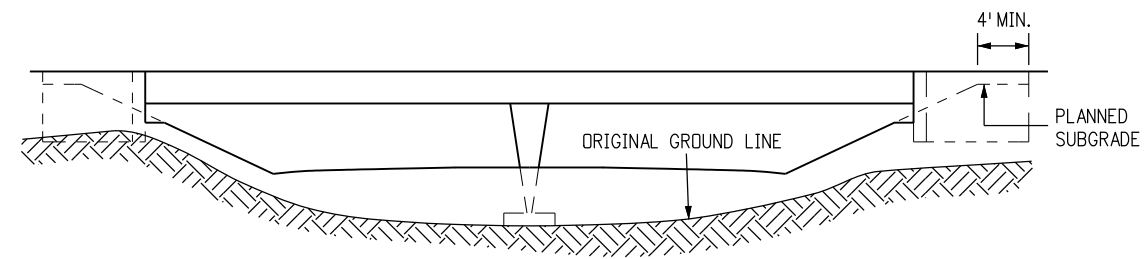


- ▲ FOR PURPOSES OF QUANTITY CALCULATIONS THIS TEMPLATE APPLIES TO END OF WINGWALL.
- ⊗ SLOPE TO DRAIN.

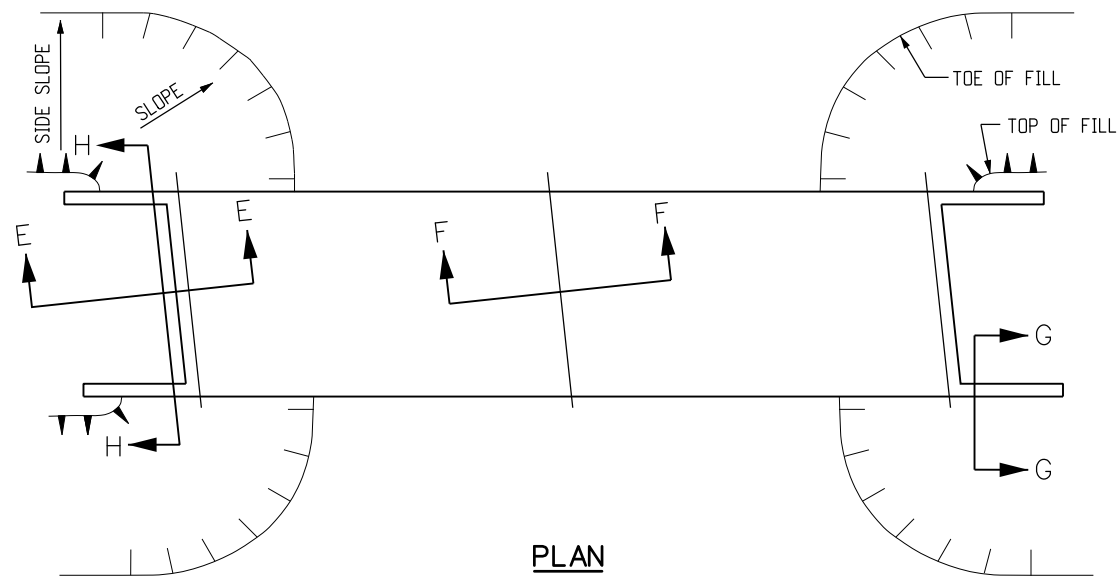


- \* MINIMUM BERM DIMENSION
- ▼ MINIMUM EMBEDMENT OF ABUTMENT, IN STRUCTURE BACKFILL

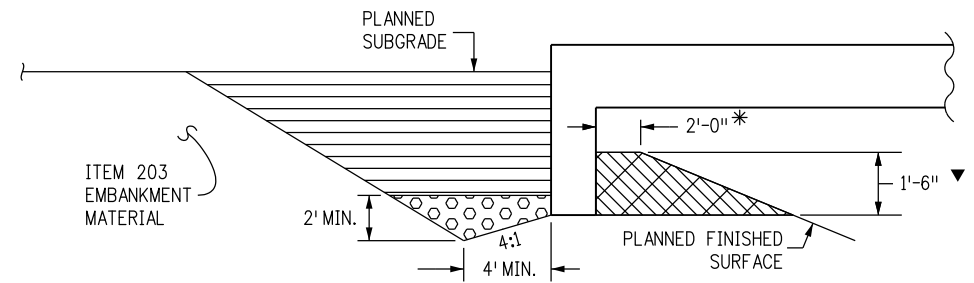
<b>Computer File Information</b>		<b>Sheet Revisions</b>		<b>Colorado Department of Transportation</b> 4201 East Arkansas Avenue Denver, Colorado 80222 Phone: (303) 757-9083 Fax: (303) 757-9820 <b>Project Development Branch DD/LTA</b>	<b>EXCAVATION AND BACKFILL FOR BRIDGES</b> Issued By: Project Development Branch July 4, 2012	<b>STANDARD PLAN NO.</b>
Creation Date: 07/04/12	Initials: DD	Date:	Comments:			M-206-2
Last Modification Date: 07/04/12	Initials: LTA					Sheet No. 1 of 2
Full Path: www.coloradodot.info/business/designsupport	(R-X)					
Drawing File Name: 206020102.dgn	(R-X)					
CAD Ver.: MicroStation V8	Scale: Not to Scale	Units: English	(R-X)			



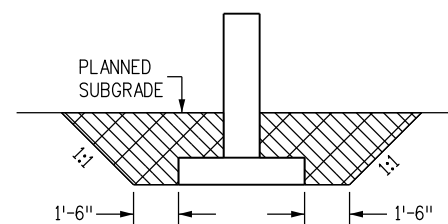
**ELEVATION**



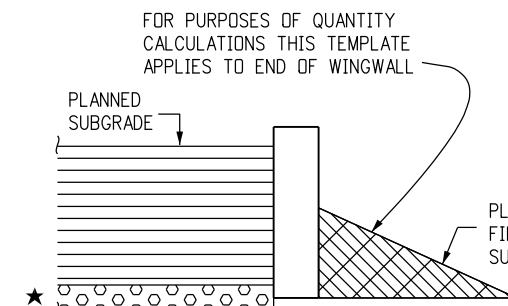
**PLAN**



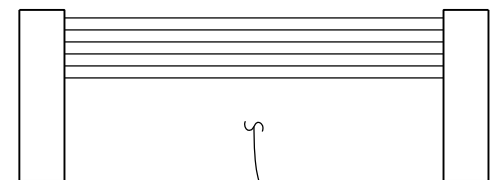
**SECTION E-E (BACKFILL)**



**SECTION F-F (BACKFILL)**



**SECTION G-G (BACKFILL)**



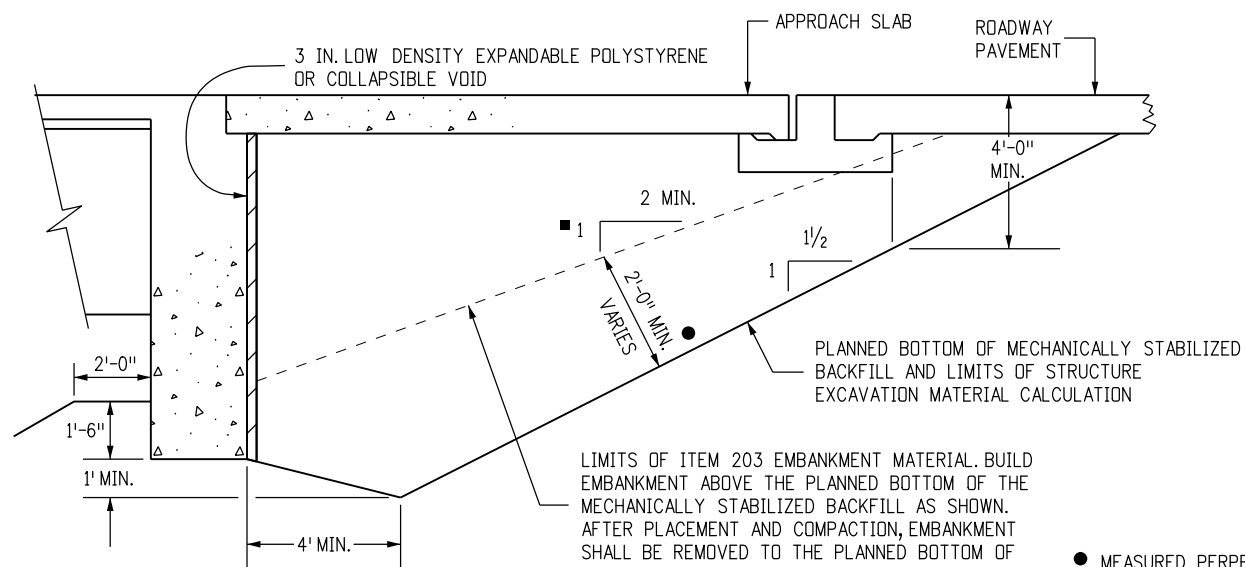
**SECTION H-H (BACKFILL)**

**GENERAL NOTES**

1. EXCAVATION AND BACKFILL PATTERNS DIFFERENT FROM THOSE INDICATED ON THIS SHEET WILL BE SHOWN ELSEWHERE ON THE PLANS.
2. STRUCTURE FOOTINGS WHICH ARE LOCATED IN ROCK SHALL BE POURED OUT TO UNDISTURBED ROCK WITHOUT FORMING IN CONFORMANCE WITH SUBSECTION 601.09.
3. STRUCTURE EXCAVATION FOR SLOPE PAVING NOT SHOWN.

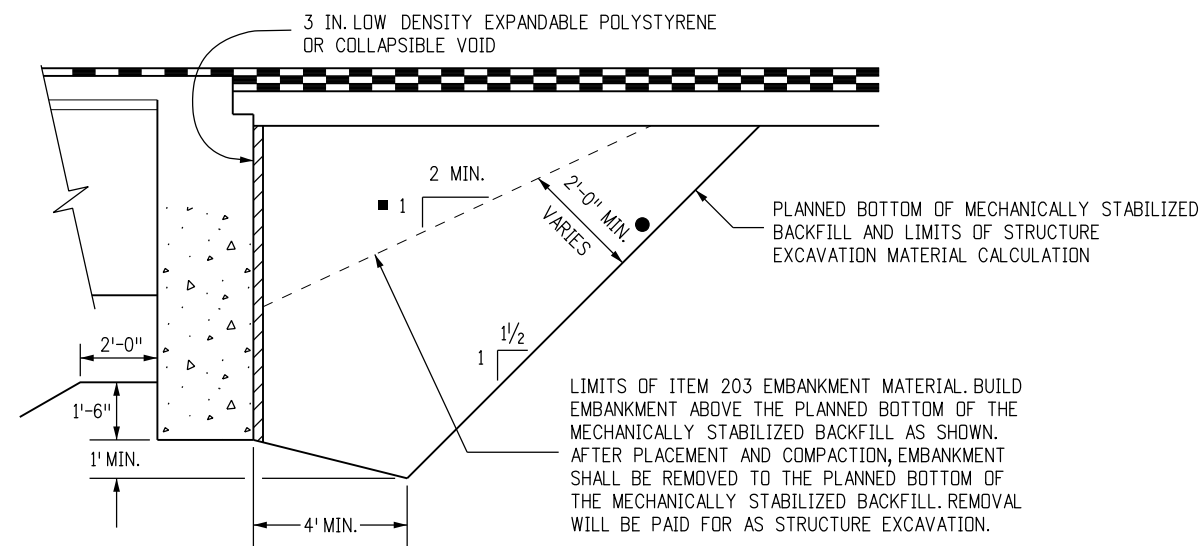
**LEGEND**

- STRUCTURE BACKFILL (FLOW-FILL), OR STRUCTURE BACKFILL (CLASS 1) WITH MECHANICAL REINFORCEMENT AS SHOWN ON THE PLANS
- STRUCTURE BACKFILL CLASS 2 (ON-SITE CLASS 2 MATERIALS MUST MEET CLASS 1 REQUIREMENTS)
- FILTER MATERIAL



**DETAIL 1**

(WITH APPROACH SLAB)



**DETAIL 2**

(WITHOUT APPROACH SLAB)

LIMITS OF ITEM 203 EMBANKMENT MATERIAL. BUILD EMBANKMENT ABOVE THE PLANNED BOTTOM OF THE MECHANICALLY STABILIZED BACKFILL AS SHOWN. AFTER PLACEMENT AND COMPACTION, EMBANKMENT SHALL BE REMOVED TO THE PLANNED BOTTOM OF THE MECHANICALLY STABILIZED BACKFILL. REMOVAL WILL BE PAID FOR AS STRUCTURE EXCAVATION.

- MEASURED PERPENDICULAR TO PLANNED BOTTOM OF MECHANICALLY STABILIZED BACKFILL.
- PAYMENT BASED ON 2:1 SLOPE. ADDITIONAL QUANTITIES SHALL BE INCLUDED IN THE WORK.

Computer File Information	
Creation Date: 07/04/12	Initials: DD
Last Modification Date: 07/04/12	Initials: LTA
Full Path: www.coloradodot.info/business/designsupport	
Drawing File Name: 206020202.dgn	
CAD Ver.: MicroStation V8	Scale: Not to Scale Units: English

Sheet Revisions	
Date:	Comments
(R-X)	
(R-X)	
(R-X)	
(R-X)	

Colorado Department of Transportation  
 4201 East Arkansas Avenue  
 Denver, Colorado 80222  
 Phone: (303) 757-9083  
 Fax: (303) 757-9820

**Project Development Branch DD/LTA**

**EXCAVATION AND BACKFILL FOR BRIDGES**

Issued By: Project Development Branch July 4, 2012

**STANDARD PLAN NO.**

M-206-2

Sheet No. 2 of 2